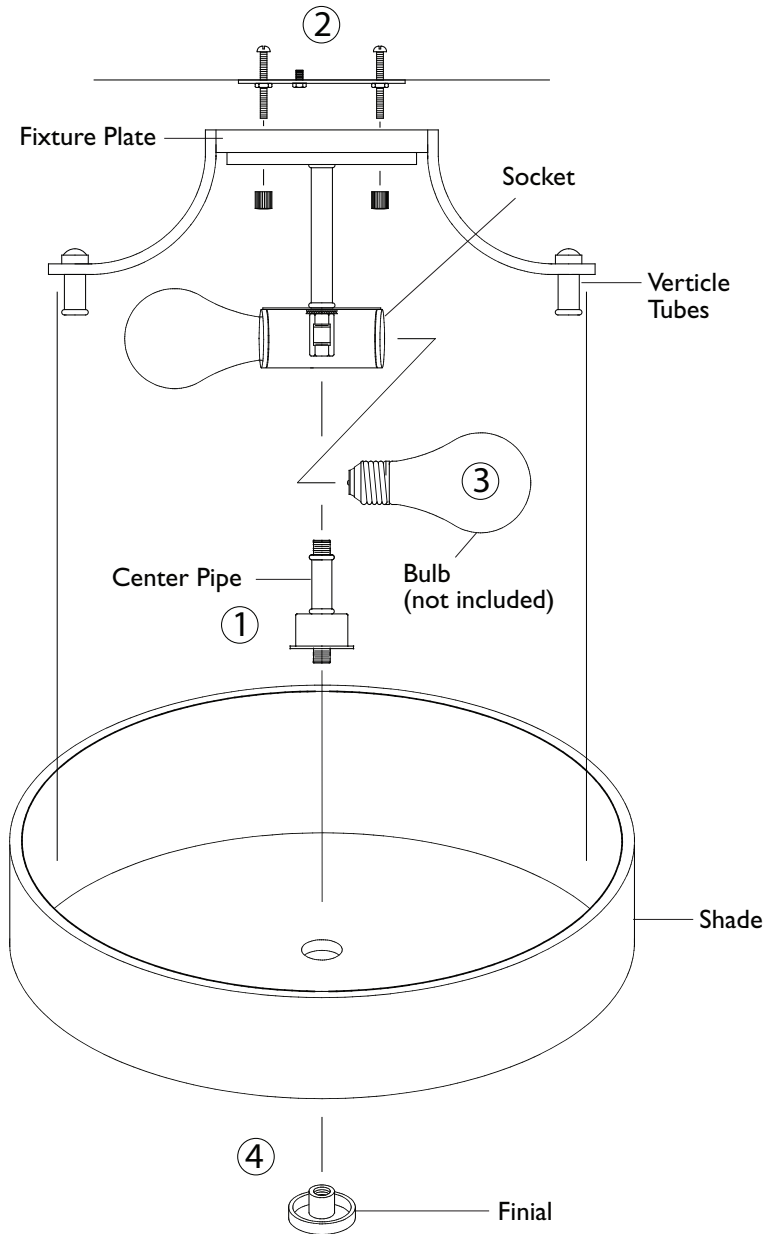


Assembly Instructions For

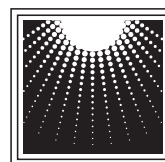
SF259 (E) 10/08



IMPORTANT **TURN OFF THE POWER AT THE MAIN FUSE OR** **CIRCUIT BREAKER BOX** **BEFORE STARTING INSTALLATION**

Carefully unpack and identify all parts before assembly.
Bulbs not included.

1. Install center pipe by screwing into bottom of socket assembly. Note correct position of center pipe at illustration.
2. Follow enclosed supplement installation instructions for electrical and fixture installation onto house outlet box. If you do not have an outlet box at desired location to attach the fixture than hire a qualified electrician to create one.
3. Install bulb (not included). See relamping label located at socket area for type and maximum allowed wattage.
4. Install shade by slipping through the installed center pipe and then fastening with finial. **IMPORTANT: Do not over tighten.**
NOTE: During shade installation, make certain vertical tubes are inserted inside of shade.



MURRAY
FEISS

Generation Brands™