

WALL COLLECTION

Clifton Wall

DESCRIPTION

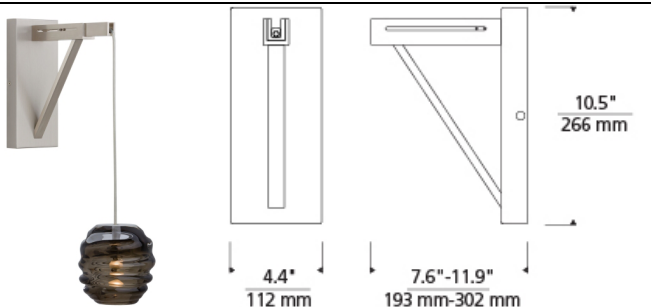
Transform virtually any Tech Lighting line-voltage pendant into a wall sconce. The integrated telescoping arm features a structural crossbar to support larger pendants up to 20 pounds and 20" in diameter. Compatible with Line-Voltage Pendants that use Incandescent, Halogen, GU24 Compact Fluorescent and 4-Pin Compact Fluorescent Lamps. When using 4-Pin Compact Fluorescent Lamps, use the ballast that is included with the Pendant. Can mount to either a 4" square electrical box with round plaster ring or an octagonal electrical box (not included).

INSTALLATION

This product can mount to either a 4" square electrical box with round plaster ring or an octagonal electrical box (not included).

WEIGHT

1.311lb / 0.59kg ±



antique bronze shown with beacon pendant antique bronze shown with manette pendant satin nickel shown with audra pendant satin nickel shown with cleo pendant satin nickel shown with soco pendant satin nickel extension closed satin nickel extension partially extended satin nickel extension fully extended

ORDERING INFORMATION

700WSCFT FINISH

LAMP

Z ANTIQUE BRONZE
S SATIN NICKEL

INCANDESCENT/HALOGEN 120V



TECH LIGHTING®
7400 Linder Avenue T 847.410.4400
Skokie, Illinois 60077 F 847.410.4500
Tech Lighting, L.L.C.

700WSCFT _____

FIXTURE TYPE: _____

JOB NAME: _____

NOTES: _____

