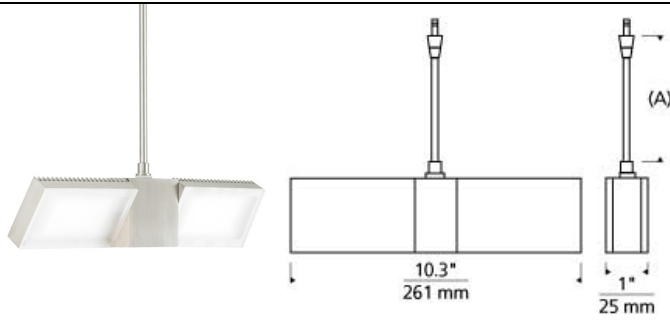


# LOW - VOLTAGE HEADS

## IBISS Head-Flood Double LED T20

### DESCRIPTION

Bold design and high-performance meet in the highly-customizable Ibis display head by Tech Lighting. This handsome display head is constructed of die cast aluminum and features a patented IBISS head. Going beyond simply incorporating LED, the IBISS heads are beautiful in their minimalist simplicity and deliver ultimate performance. This remarkable fixture celebrates what's achievable with LED lamping technology resulting in a form that would never be possible with traditional lamp styles. Enhance your space all the more by combining the Ibis display head with a Tech Lighting free-jack or rail system. This low-voltage display head is ideal for commercial lighting applications such as retail stores, libraries and galleries. Going beyond simply incorporating LED, the IBISS heads are beautiful in their minimalist simplicity and deliver ultimate performance. As a general rule when using the IBISS Head, we do not recommend using greater than 33% of the maximum wattage specified for the low-voltage transformer due to the inrush current requirements. For assistance in calculations, please contact our Technical Support Department.



U.S. Patent No. D682,456

### INSTALLATION

Socket terminates with FreeJack male connector, which may be installed into a system connector. Elements ordered with a system prefix include a connector for that system. For use on T-TRAK, order FreeJack version and T~TRAK FreeJack Connector (sold separately).

### WEIGHT

1.33lb / 0.6kg ±



view 1      view 2      view 3      view 4

### ORDERING INFORMATION

700	SYSTEM	IBIS	SHAPE OR SIZE	LENGTH (A)	FINISH	LAMP
FJ	FREEJACK		FED FLOOD EDGE LIT DOUBLE	03 3"	S SATIN NICKEL	L2 LED 2700K
MP	MONOPOINT			06 6"		L3 LED 3000K
MO	MONORAIL			12 12"		
WMO	WALL MONORAIL			18 18"		

Note: WMO Double Head is only available up to 6" maximum length.

MP includes 4" Round flush Canopy. Note: MP includes 4 Round Flush Canopy.

When installing LED option on MO2 only magnetic transformers may be used.



700 \_\_\_\_ IBIS \_\_\_\_\_

FIXTURE TYPE: \_\_\_\_\_

JOB NAME: \_\_\_\_\_

NOTES: \_\_\_\_\_

\_\_\_\_\_

\_\_\_\_\_