

Kable Lite 2" Square Power Feed Canopy Single-Feed

DESCRIPTION

A single-feed canopy is mounted to a wall or ceiling adjacent to the Kable Lite run. It can be used anywhere in the run. It brings power to the Kable Lite run from a remote single-feed transformer (sold separately). The low-voltage leads from the remote transformer are connected to the canopy leads inside our special 2" junction box. The two leads from the canopy are 24" long and can be cut and bent in the field. To drop the Kable Lite system farther down from the ceiling, add a pair of hardwire feeds (sold separately).

INSTALLATION

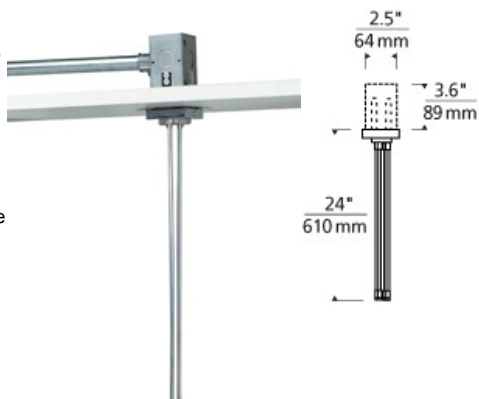
Mounts to Tech Lighting's special 2" square, 3.5" deep junction box and mounting bar (included).

OTHER

Black and white finish have chrome feeds. For use with a single-feed remote transformer (sold separately).

WEIGHT

1.1lb / 0.5kg ±



ORDERING INFORMATION

700KP2C24 SHAPE OR SIZE	LENGTH (A)	FINISH
2" SQUARE	24"	B BLACK C CHROME S SATIN NICKEL W WHITE



700KP2C24	_____
FIXTURE TYPE:	_____
JOB NAME:	_____
NOTES:	_____

