

# K A B L E L I T E

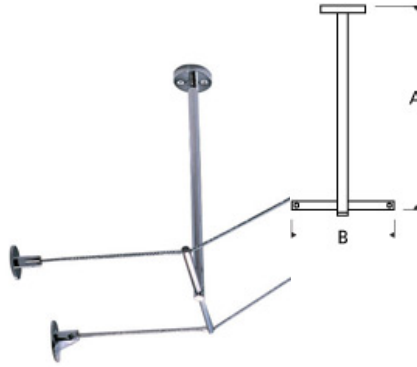
## Kable Lite Rigid T Standoff

### DESCRIPTION

Mounts to ceiling. Provides support for long runs or runs with a changing cable drop. Offered for a range of drops and cable separations. Not field-cuttable. To run the system just beneath a surface transformer, use the 5" drop.

### WEIGHT

0.25-0.75lb / 0.11-0.34kg ±



### ORDERING INFORMATION

| 700KTSO | LENGTH (A) | CABLE SEPARATION | FINISH |                |
|---------|------------|------------------|--------|----------------|
| 01      | 1"         | 01               | 1"     | C CHROME       |
| 02      | 2.5"       | 02               | 2"     | S SATIN NICKEL |
| 05      | 5"         | 03               | 3.5"   |                |
| 12      | 12"        | 05               | 5.5"   |                |
|         |            | 08               | 8"     |                |



**TECH LIGHTING®**

7400 Linder Avenue  
Skokie, Illinois 60077

T 847.410.4400  
F 847.410.4500

Tech Lighting, L.L.C.

|               |       |
|---------------|-------|
| 700KTSO       | _____ |
| FIXTURE TYPE: | _____ |
| JOB NAME:     | _____ |
| NOTES:        | _____ |
|               | _____ |
|               | _____ |



©2015 Tech Lighting, L.L.C. All Rights Reserved. The "Tech Lighting" graphic is a registered trademark of Tech Lighting, L.L.C. Tech Lighting reserves the right to change specifications for product improvements without notification.