

MonoRail 2" x 4" Rectangular Direct-End Power Feed

DESCRIPTION

A direct-end power feed brings power from a remote transformer to the rail at an end of the run and mounts to a wall perpendicular to the run. The low-voltage leads from the remote transformer are connected to the canopy leads inside the junction box.

INSTALLATION

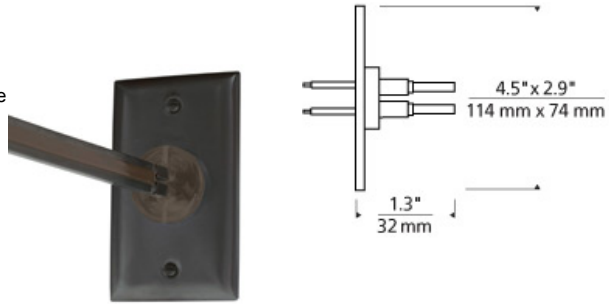
Mounts to a gem or single gang junction box (not included).

OTHER

For use with a single-feed remote transformer (sold separately).

WEIGHT

0.93lb / 0.42kg ±



ORDERING INFORMATION

700MOPRCD SHAPE OR SIZE

2X4" RECTANGLE DIRECT END POWER FEED

FINISH

- Z** ANTIQUE BRONZE
- C** CHROME
- S** SATIN NICKEL



TECH LIGHTING®

7400 Linder Avenue
Skokie, Illinois 60077

T 847.410.4400
F 847.410.4500

Tech Lighting, L.L.C.

700MOPRCD ____

FIXTURE TYPE: _____

JOB NAME: _____

NOTES: _____



©2015 Tech Lighting, L.L.C. All Rights Reserved. The "Tech Lighting" graphic is a registered trademark of Tech Lighting, L.L.C. Tech Lighting reserves the right to change specifications for product improvements without notification.