

# MONORAIL

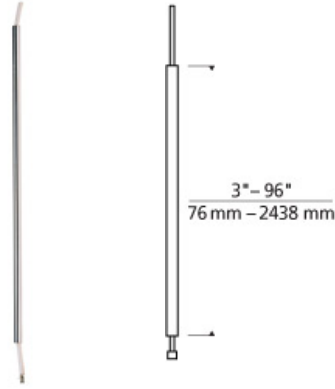
## MonoRail Power Extender

### DESCRIPTION

Add to power feed canopy or surface transformer to drop power from ceiling. For dual-feed canopies and transformers, order two. Field-cutttable.

### WEIGHT

0.25-2.55lb / 0.11-1.16kg ±



### ORDERING INFORMATION

700MOP	LENGTH (A)	FINISH
03	3"	Z ANTIQUE BRONZE
06	6"	C CHROME
12	12"	S SATIN NICKEL
24	24"	
36	36"	
48	48"	
96	96"	



**TECH LIGHTING®**

7400 Linder Avenue  
Skokie, Illinois 60077

T 847.410.4400  
F 847.410.4500

Tech Lighting, L.L.C.

700MOP \_\_\_\_\_

FIXTURE TYPE: \_\_\_\_\_

JOB NAME: \_\_\_\_\_

NOTES: \_\_\_\_\_



©2015 Tech Lighting, L.L.C. All Rights Reserved. The "Tech Lighting" graphic is a registered trademark of Tech Lighting, L.L.C. Tech Lighting reserves the right to change specifications for product improvements without notification.