

MONORAIL

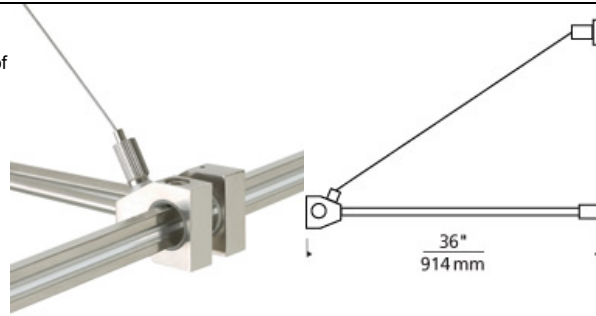
MonoRail Support Outside Rigger

DESCRIPTION

Extends from the wall, to support the rail. Use every three feet of run.

WEIGHT

0.6lb / 0.27kg ±



ORDERING INFORMATION

700MOSORG FINISH

- Z ANTIQUE BRONZE
- C CHROME
- S SATIN NICKEL



TECH LIGHTING®

7400 Linder Avenue
Skokie, Illinois 60077

T 847.410.4400
F 847.410.4500

Tech Lighting, L.L.C.

700MOSORG ____

FIXTURE TYPE: _____

JOB NAME: _____

NOTES: _____



©2015 Tech Lighting, L.L.C. All Rights Reserved. The "Tech Lighting" graphic is a registered trademark of Tech Lighting, L.L.C. Tech Lighting reserves the right to change specifications for product improvements without notification.