

MONORAIL

MonoRail T-Bar Connector

DESCRIPTION

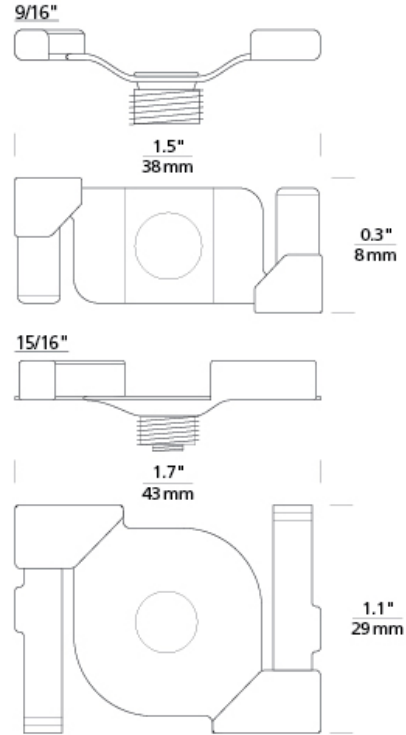
To install a MonoRail system to a T-bar drop ceiling, add a T-bar connector to every standoff (sold separately). The T-bar clip twists into the slat. (Use only if local electrical codes allow). Specify 15/16" or 9/16" slat.

OTHER

Use with rigid or adjustable standoff (sold separately).

WEIGHT

0.5lb / 0.23kg ±



ORDERING INFORMATION

700MOTBAR SHAPE OR SIZE		FINISH
C	15/16"	B BLACK
9C	9/16"	W WHITE



TECH LIGHTING®

7400 Linder Avenue T 847.410.4400
 Skokie, Illinois 60077 F 847.410.4500

Tech Lighting, L.L.C.

700MOTBAR _____
FIXTURE TYPE: _____
JOB NAME: _____
NOTES: _____



©2015 Tech Lighting, L.L.C. All Rights Reserved. The "Tech Lighting" graphic is a registered trademark of Tech Lighting, L.L.C. Tech Lighting reserves the right to change specifications for product improvements without notification.