

MONORAIL

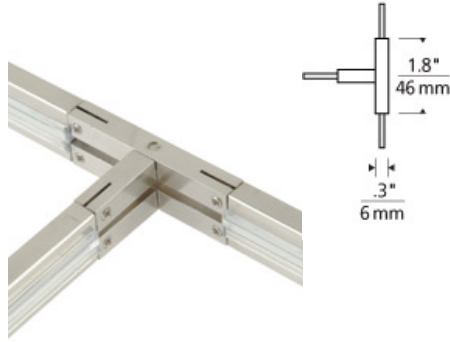
MonoRail T Connector

DESCRIPTION

The "T" connector joins three pieces of MonoRail to form a "T". These connectors are conductive, so you may power the system from any of the runs. At least one standoff must be located near the connector.

WEIGHT

1lb / 0.45kg ±



ORDERING INFORMATION

700MOCTT FINISH

- Z ANTIQUE BRONZE
- C CHROME
- S SATIN NICKEL



TECH LIGHTING®

7400 Linder Avenue
Skokie, Illinois 60077

T 847.410.4400
F 847.410.4500

Tech Lighting, L.L.C.

700MOCTT _____

FIXTURE TYPE: _____

JOB NAME: _____

NOTES: _____



©2015 Tech Lighting, L.L.C. All Rights Reserved. The "Tech Lighting" graphic is a registered trademark of Tech Lighting, L.L.C. Tech Lighting reserves the right to change specifications for product improvements without notification.