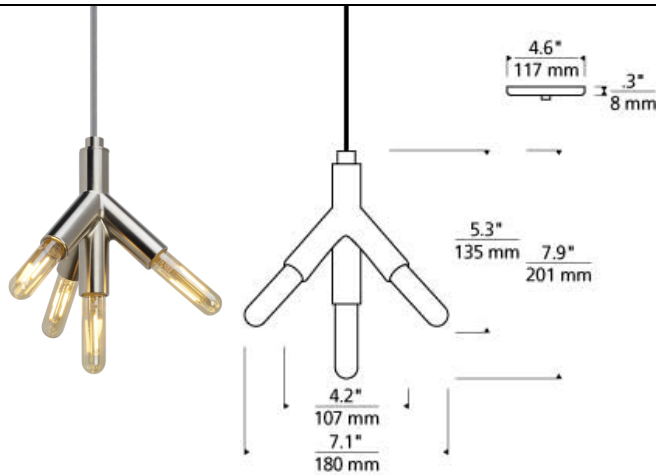


Quatnik Pendant LED T20

DESCRIPTION

The Quatnik pendant light by Tech Lighting is a modern, high-tech revision of the popular urban loft exposed-bulb aesthetic. The four geometrically balanced arms distinguish this striking pendant fixture. The Quatnik is available in two on-trend finish options and three new transparent glass shade options, each finish and each glass shade give the Quatnik even more charm and sophistication. This timeless fixture scales at 4.5" in height and 8" in length making it ideal for kitchen island task lighting, family room lighting and bedroom lighting flanking two end tables. All lamping options are fully dimmable to create the desired ambiance in your special space using a low-voltage ELV or Triac dimmer. No Lamp rated for (4) 5 watt max. E12 candelabra base lamps (Not Included). LED version includes (4) 120 volt 2 watt, 160 delivered lumen (640 total delivered lumen), 2700K, E12 base LED vintage tubular lamps. Dimmable with LED compatible or triac dimmer. Aged Brass ships with 6 feet field-cuttable black cloth cord. Satin Nickel ships with 6 feet field-cuttable gray cloth cord.



INSTALLATION

This product can mount to either a 4" square electrical box with round plaster ring or an octagon electrical box.

WEIGHT

1-1.5lb / 0.45-0.68kg ±



aged brass



satin nickel

ORDERING INFORMATION

700 SYSTEM QTKP

FINISH

LAMP

TD LINE-VOLTAGE PENDANTS/SUSPENSION

R AGED BRASS
S SATIN NICKEL

NO LAMP
-LED927 LED 90 CRI 2700K 120V (T20/T24)



TECH LIGHTING®

7400 Linder Avenue
Skokie, Illinois 60077

T 847.410.4400
F 847.410.4500

Tech Lighting, L.L.C.

700 ____ QTKP ____

FIXTURE TYPE: _____

JOB NAME: _____

NOTES: _____



©2018 Tech Lighting, L.L.C. All Rights Reserved. The "Tech Lighting" graphic is a registered trademark of Tech Lighting, L.L.C. Tech Lighting reserves the right to change specifications for product improvements without notification.