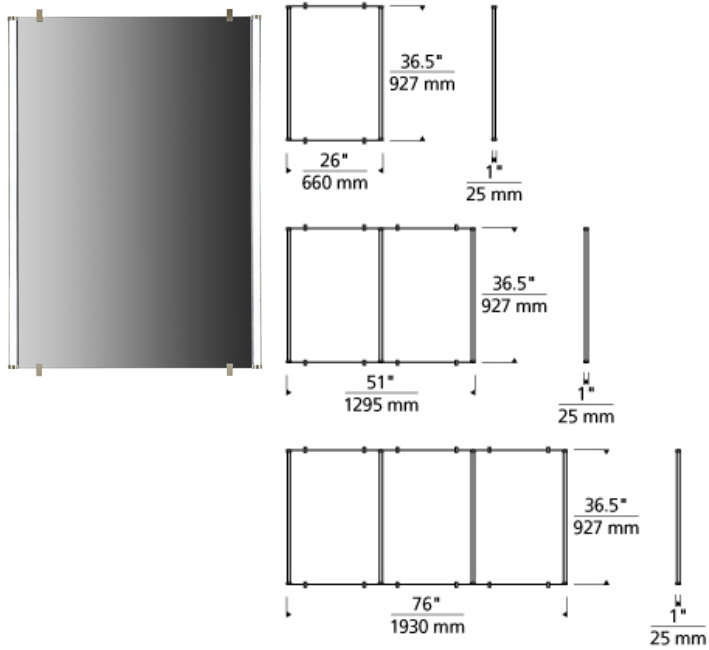


Rae Mirror Kit



DESCRIPTION

The Rae Mirror Kit by Tech Lighting is an all encompassing mirror kit that allows you to create a beautiful yet simple illuminated vanity. A special co-extruded remote phosphor LED channel hugs a high-quality mirror, while the LED channel provides an amazingly slim profile, less than 1 inch deep, with a flawless even illumination and great color reproduction. This highly-configurable mirror kit allows for a range of vanity configuration options including your choice of two on-trend finish options, glass color and fully dimmable LED lamping. All lamping options ship with the Rae Mirror Kit to save you both time and money. The LED channel provides an amazingly slim profile less than 1 inch deep with flawless, even illumination and great color reproduction. Comes complete with 3.9watt/ft of LEDs to create 300lms/ft or 7.8 watt/ft of LEDs to create 600lms/ft available in 4 CCT options and 2 CRI options. Dimmable with low-voltage electronic dimmer.



rae mirror kit

ORDERING INFORMATION

700BCRAEMRR	SHAPE OR SIZE	FINISH	LAMP	VOLTAGE
3D	300 LMS/FT-DOUBLE MIRROR	C CHROME	-LED824 LED 80 CRI 2400K	120 VOLT
3S	300 LMS/FT-SINGLE MIRROR	S SATIN NICKEL	-LED835 LED 80 CRI 3500K	-277 277 VOLT
3T	300 LMS/FT-TRIPLE MIRROR		-LED840 LED 80 CRI 4000K	
6D	600 LMS/FT-DOUBLE MIRROR		-LED930 LED 90 CRI 3000K	
6S	600 LMS/FT-SINGLE MIRROR			
6T	600 LMS/FT-TRIPLE MIRROR			



TECH LIGHTING®

7400 Linder Avenue T 847.410.4400
 Skokie, Illinois 60077 F 847.410.4500

Tech Lighting, L.L.C.

700 BCRAEMRR _____

FIXTURE TYPE: _____

JOB NAME: _____

NOTES: _____

