

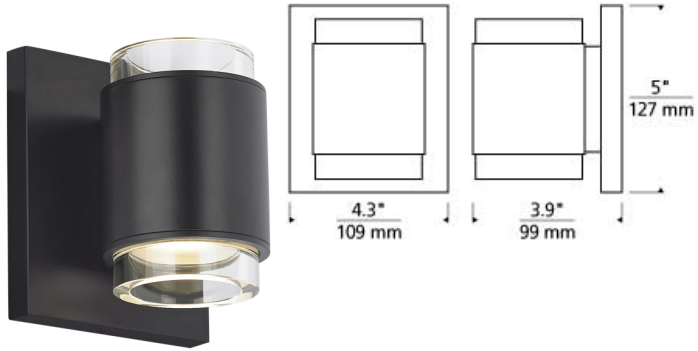
WALL COLLECTION

Voto Wall Round

LED ADA T20

DESCRIPTION

The Voto light by Tech Lighting is simply elegant with its handsome well-defined shape crafted from die-cast metal, its bold design is echoed by symmetrical reveals cut from a solid piece of optically pure crystal. A surplus of light radiates from the top and bottom of the thick-cut crystal. The Voto is available in two distinct shapes square and round and features two contemporary glass colors, clear and smoke. For even greater design freedom the Voto can be mounted vertically or horizontally and is available in four on-trend hardware finishes. Your choice of fully dimmable LED lamping ships with the Voto saving you both time and money. Includes 9 watt, 423.8 total delivered lumen, 3000K LED module. Dimmable with low-voltage electronic dimmer. May be mounted horizontally or vertically. ADA compliant.



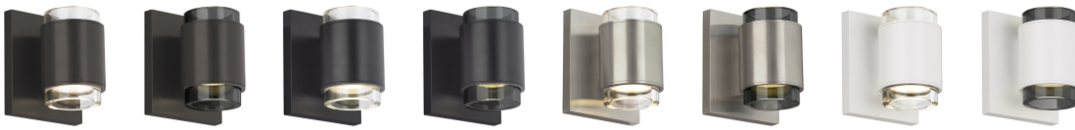
clear

INSTALLATION

This product can mount to either a 4" square electrical box with round plaster ring or an octagonal electrical box (not included).

WEIGHT

2-2.5lb / 0.91-1.13kg ±



clear
antique bronze

smoke
antique bronze

clear
black

smoke
black

clear
satin nickel

smoke
satin nickel

clear
white

smoke
white

ORDERING INFORMATION

700WSVOTR COLOR	FINISH	LAMP
C CLEAR	Z ANTIQUE BRONZE B BLACK S SATIN NICKEL W WHITE	-LED830 LED 80 CRI 3000K 120V -LED830-277 LED 80 CRI 3000K 277V



TECH LIGHTING®
 7400 Linder Avenue T 847.410.4400
 Skokie, Illinois 60077 F 847.410.4500
Tech Lighting, L.L.C.

700WSVOTR _____

FIXTURE TYPE: _____

JOB NAME: _____

NOTES: _____



©2019 Tech Lighting, L.L.C. All Rights Reserved. The "Tech Lighting" graphic is a registered trademark of Tech Lighting, L.L.C. Tech Lighting reserves the right to change specifications for product improvements without notification.