

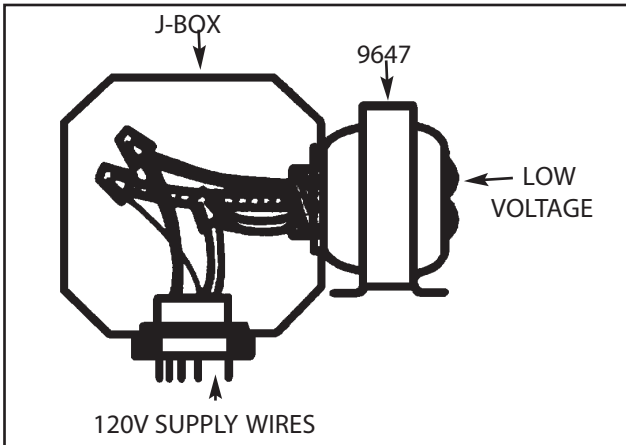
INSTALLATION AND SAFETY INSTRUCTIONS

FOR YOUR SAFETY

HC-478

Caution : Turn off electrical current at source before working with any lighting fixture or portable lamp. Install and use this product according to your local electrical codes and regulations.

1. Place transformer black and white (120V) wires through hole in electrical box. Mount transformer by placing the transformer's threaded section through knock out on electrical box. Secure with locknut.
2. Connect the black wires from the transformer to the black wire in the electrical box. Connect the red wires from the transformer to the white wire in the electrical box using listed wire connectors.
3. If mounting transformer on a non-metallic electrical box, connect green ground wire from transformer to ground wire in box.
4. Attach wires from the address light (not included) to the two (2) terminal screws on transformer.



Warning: Use of other manufacturers components will void warranty ETL or U.L. listing and create a potential safety hazard.

10/28/16

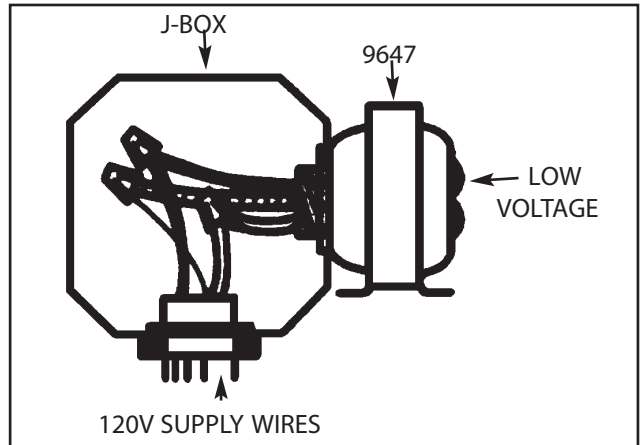
INSTALLATION AND SAFETY INSTRUCTIONS

FOR YOUR SAFETY

HC-478

Caution : Turn off electrical current at source before working with any lighting fixture or portable lamp. Install and use this product according to your local electrical codes and regulations.

1. Place transformer black and white (120V) wires through hole in electrical box. Mount transformer by placing the transformer's threaded section through knock out on electrical box. Secure with locknut.
2. Connect the black wires from the transformer to the black wire in the electrical box. Connect the red wires from the transformer to the white wire in the electrical box using listed wire connectors.
3. If mounting transformer on a non-metallic electrical box, connect green ground wire from transformer to ground wire in box.
4. Attach wires from the address light (not included) to the two (2) terminal screws on transformer.



Warning: Use of other manufacturers components will void warranty ETL or U.L. listing and create a potential safety hazard.

10/28/16

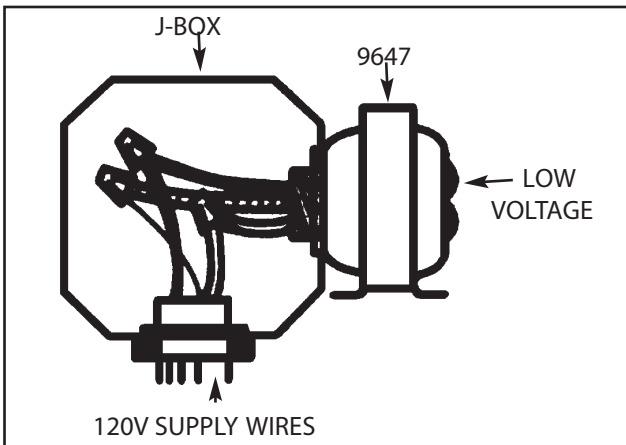
INSTALLATION AND SAFETY INSTRUCTIONS

FOR YOUR SAFETY

HC-478

Caution : Turn off electrical current at source before working with any lighting fixture or portable lamp. Install and use this product according to your local electrical codes and regulations.

1. Place transformer black and white (120V) wires through hole in electrical box. Mount transformer by placing the transformer's threaded section through knock out on electrical box. Secure with locknut.
2. Connect the black wires from the transformer to the black wire in the electrical box. Connect the red wires from the transformer to the white wire in the electrical box using listed wire connectors.
3. If mounting transformer on a non-metallic electrical box, connect green ground wire from transformer to ground wire in box.
4. Attach wires from the address light (not included) to the two (2) terminal screws on transformer.



Warning: Use of other manufacturers components will void warranty ETL or U.L. listing and create a potential safety hazard.

10/28/16

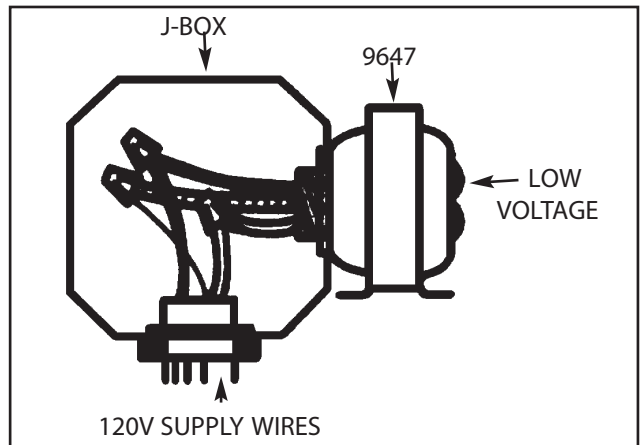
INSTALLATION AND SAFETY INSTRUCTIONS

FOR YOUR SAFETY

HC-478

Caution : Turn off electrical current at source before working with any lighting fixture or portable lamp. Install and use this product according to your local electrical codes and regulations.

1. Place transformer black and white (120V) wires through hole in electrical box. Mount transformer by placing the transformer's threaded section through knock out on electrical box. Secure with locknut.
2. Connect the black wires from the transformer to the black wire in the electrical box. Connect the red wires from the transformer to the white wire in the electrical box using listed wire connectors.
3. If mounting transformer on a non-metallic electrical box, connect green ground wire from transformer to ground wire in box.
4. Attach wires from the address light (not included) to the two (2) terminal screws on transformer.



Warning: Use of other manufacturers components will void warranty ETL or U.L. listing and create a potential safety hazard.

10/28/16