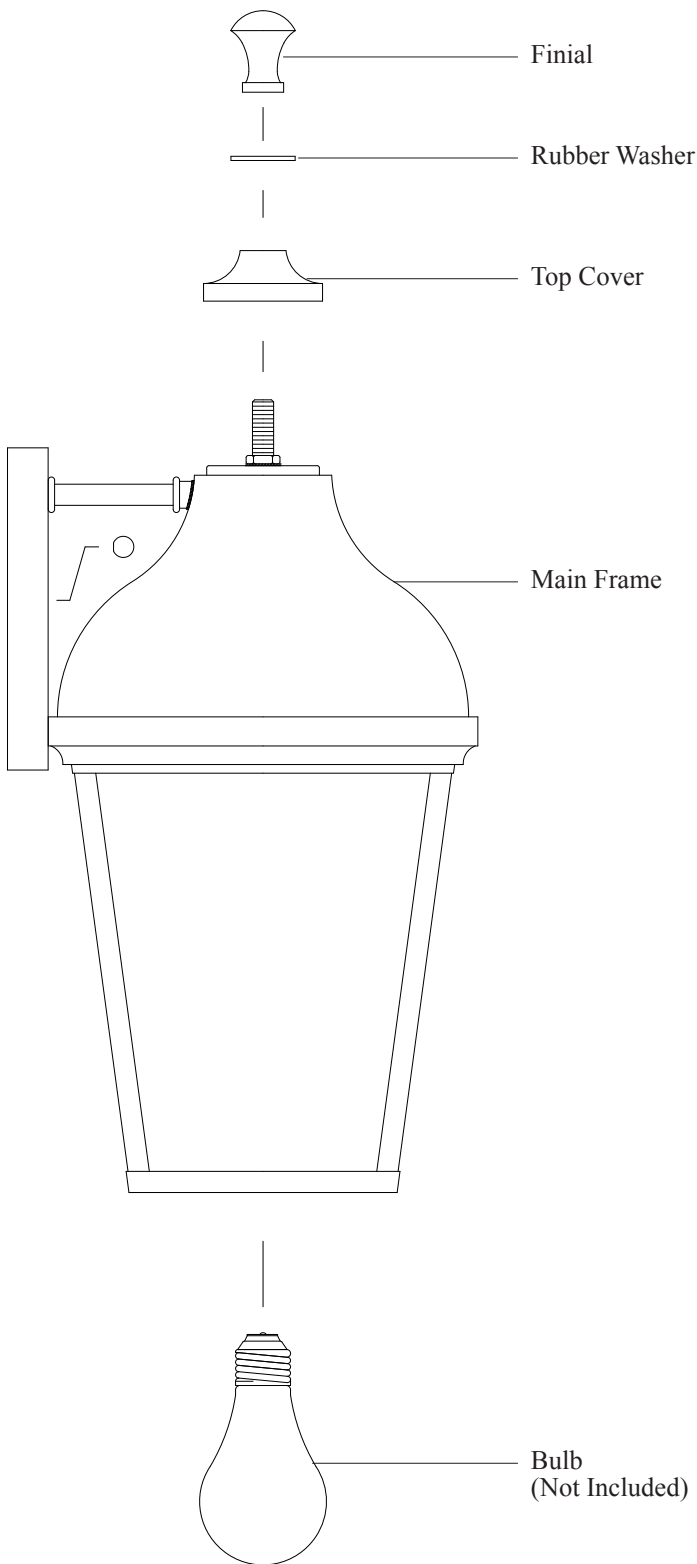


ASSEMBLY INSTRUCTIONS FOR OL4001, OL4002, OL4003 (E) 9/05



IMPORTANT
TURN OFF THE POWER AT THE
MAIN FUSE OR CIRCUIT BREAKER
BOX BEFORE STARTING INSTALLATION

Carefully unpack and identify all parts
before beginning assembly.
Bulb is not included.

1. Slide top cover thru center pipe till checks onto main frame. Lock them into position with rubber washer and finial.
2. Install light bulb (Not Included). See relamping label located at socket area for type and maximum allowed wattage.
3. Follow enclosed **“Standard Outdoor Mounting plate installation Instructions”** for electrical and fixture installation onto wall outlet box.