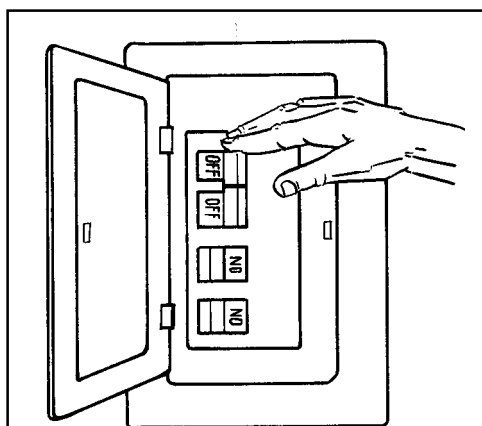


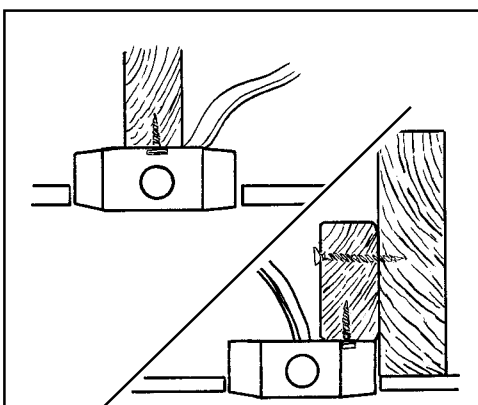
SLOPE CEILING ADAPTER INSTALLATION

TOOLS REQUIRED

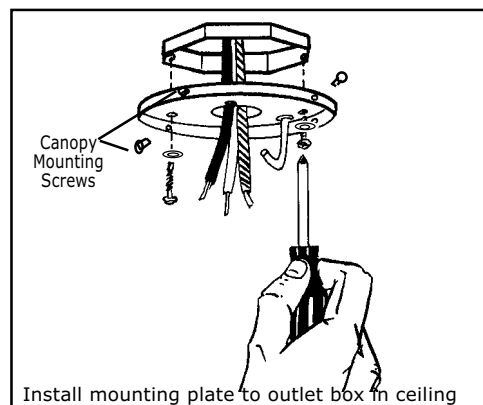
Phillips Screwdriver Step Ladder



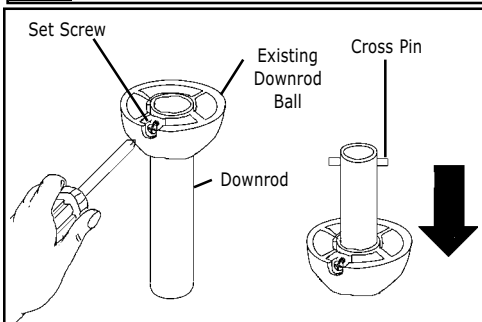
- 1** Turn off power at breaker box to avoid possible electrical shock.



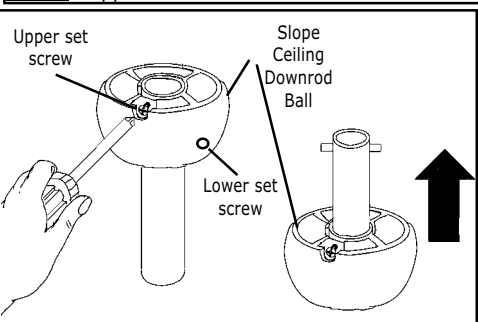
- 2** Use metal outlet box suitable for fan support. Secure outlet box directly to the building structure using ceiling joist screws (included). Junction box must support 35 lbs.



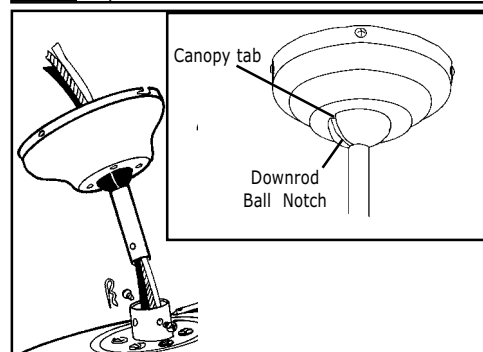
- 3** Install mounting plate to outlet box in ceiling using the two 8-32 screws and washers provided with your junction box. Remove the two canopy mounting screws 180 degrees apart on outside edge of mounting plate. Loosen the 2 remaining screws. This will make installation of the canopy easier in step 9.



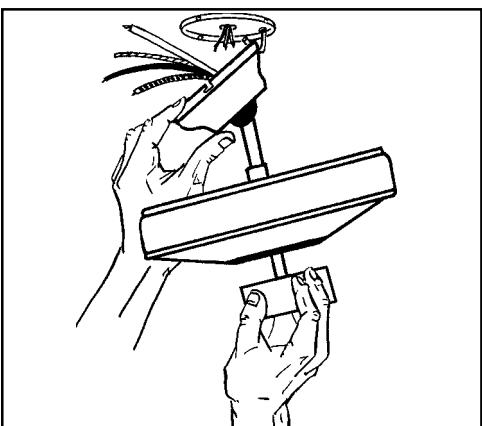
- 4** Remove the downrod ball that was supplied with your ceiling fan by loosening the set screw on the side of the ball so that it is no longer making contact with the downrod. Slide the downrod ball off the downrod. Be sure to keep the crosspin supplied with your fans downrod to use with the Slope Ceiling Ball.



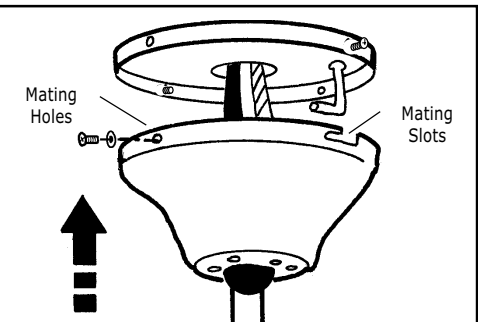
- 5** With your new longer downrod or your existing downrod, install the Slope Ceiling Adapter Ball using the crosspin from your existing downrod. Push Ball up until it engages the crosspin and tighten upper and lower set screws.



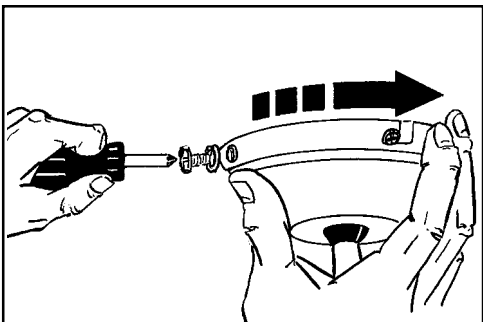
- 6** Feed motor lead wires through downrod/canopy assembly and insert downrod into motor yoke. Make sure that the tab in the canopy engages the notch in the downrod ball. Install downrod to fan using instructions provided with your fan as this may vary from model to model.



- 7** Carefully hang fan onto hook in mounting plate using one of the two holes in the canopy. This will allow hands-free wiring. Refer to your Ceiling fan Owners Manual for wiring instructions.



- 8** Carefully lift fan from mounting plate hook, making sure not to break any wire connections. The canopy has (2) mating slots and (2) mating holes (see illustration above). Position both slots in canopy directly under and in line with (2) mounting plate screws and lock washers. Lift fan until mounting plate screws are seated in bottom of slots in canopy.



- 9** Rotate canopy clockwise until both mounting screws drop into slot recesses. Tighten screws securely. Install third and fourth screws with lockwashers into mating holes and tighten.

SLOPE CEILING ADAPTER INSTALLATION

Safety Tips

WARNING: TO REDUCE THE RISK OF FIRE, ELECTRIC SHOCK, OR INJURY TO PERSONS, OBSERVE THE FOLLOWING:
READ AND SAVE THESE INSTRUCTIONS

1. Installation work and electrical wiring must be done by qualified person(s) in accordance with all applicable codes and standards, including fire-rated construction.
2. Before you begin installing the fan, disconnect the power by removing fuses or turning off circuit breakers.
3. Be cautious! read all instructions and safety information before installing your new fan. Review the accompanying assembly diagrams.
4. When cutting or drilling into wall or ceiling, do not damage electrical wiring and other hidden utilities.
5. Make sure the installation site you choose allows the fan blades to rotate without any obstructions. Allow a minimum clearance of 7 feet from the floor to the trailing edge of the blade.
6. To reduce the risk of fire, electric shock, or personal injury, mount to outlet box or supporting system acceptable for fan support.
(Mounting must support at least 35 lbs.)
7. Longer downrod will be needed in most cases with this unit. Make sure that the downrod you choose is compatible with the ceiling fan you have and this unit.
8. This unit will accommodate slopes of upto 46 degrees.